

Model: ECA 105 L02 08P

Data

Type: Condensers
Producer: Friga-Bohn
Series: ECA

Model: ECA 105 L02 08P

Condenser technical data

Speed:	<u>low</u>	<u>high</u>
Air flow [m ³ /h]:	26660	32000
Exchange surface [m ²]:		271
Inner volume [dm ³]:		28
Weight [kg]:		368

Fans technical data

Count:		2
Diameter [mm]:		900
Speed:	<u>low</u>	<u>high</u>
RPM [min ⁻¹]:		750
Power input [W]:	890	1350
Current [A]:	2	4
Power supply [V/f/Hz]:		400V/3/50Hz

Acoustic data

Speed:	<u>low</u>	<u>high</u>
Sound power level :	85	89
Sound pressure level :	46	51

Connections

	<u>milimeters</u>	<u>inches</u>
Inlet:		1 5/8"
Outlet:		1 5/8"

Model: ECA 105 L02 08P

Capacity

R404A/R507

Cooling capacity [kW] (high speed)

TD \ t_a	15	20	25	30	35	40	45	50
8	57.68	56.96	56.00	54.90	53.74	52.64	51.68	50.96
10	72.10	71.20	70.00	68.62	67.18	65.80	64.60	63.70
12	86.52	85.44	84.00	82.34	80.61	78.96	77.52	76.43
14	100.94	99.68	98.00	96.07	94.05	92.12	90.44	89.17
16	115.36	113.92	112.00	109.79	107.49	105.28	103.35	101.91
18	129.78	128.16	126.00	123.51	120.92	118.44	116.27	114.65
20	144.20	142.40	140.00	137.24	134.36	131.59	129.19	127.39

Cooling capacity [kW] (low speed)

TD \ t_a	15	20	25	30	35	40	45	50
8	52.19	51.54	50.67	49.67	48.62	47.62	46.76	46.10
10	65.23	64.42	63.33	62.08	60.78	59.53	58.44	57.63
12	78.28	77.30	76.00	74.50	72.94	71.44	70.13	69.16
14	91.33	90.19	88.67	86.92	85.09	83.34	81.82	80.68
16	104.37	103.07	101.33	99.33	97.25	95.25	93.51	92.21
18	117.42	115.95	114.00	111.75	109.40	107.16	105.20	103.73
20	130.47	128.84	126.67	124.17	121.56	119.06	116.89	115.26

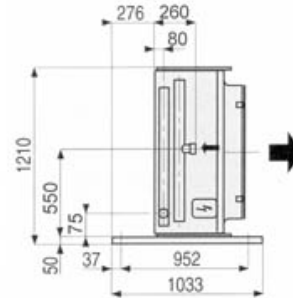
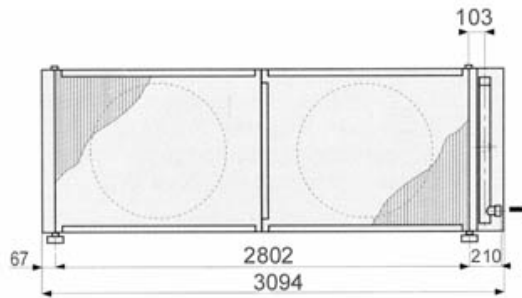
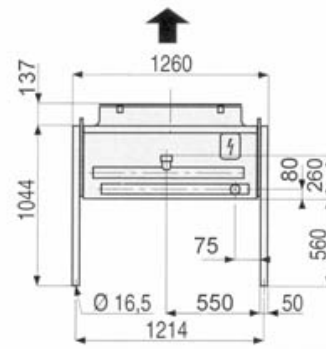
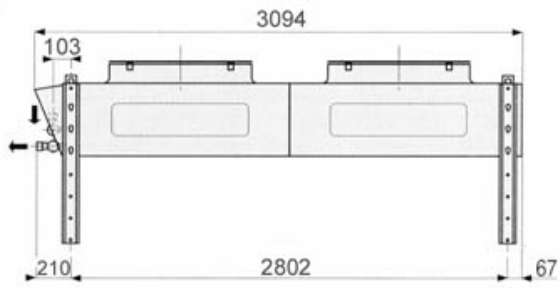
Operating conditions: height 0 m above sea level, aluminium fins

t_a - Room temperature [°C]

TD - Difference between evaporating and room temperature [K]

Model: ECA 105 L02 08P

Dimensions



Model: ECA 105 L02 08P

Image

